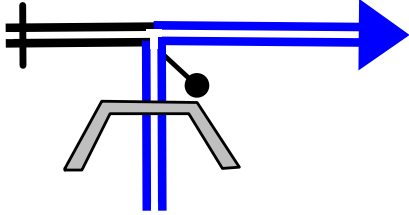
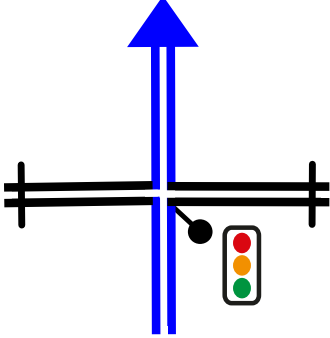
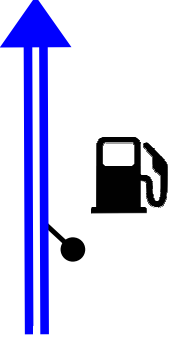
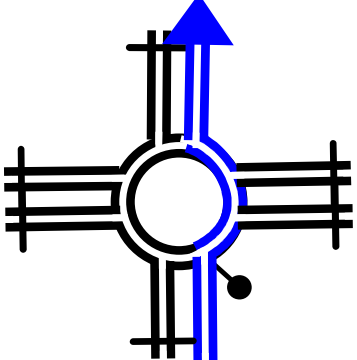
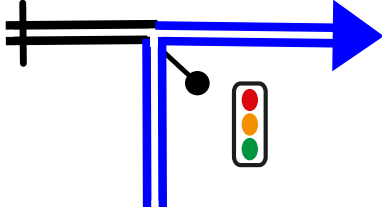
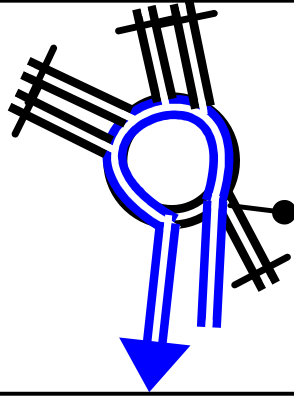


1	QASSIM / PROLOGUE / LIAISON A	Km : 34,15
<p data-bbox="129 210 384 331">0,00</p> <p data-bbox="70 405 268 504">0,00</p>		<p data-bbox="1273 237 1485 389">EXIT PARK</p>
<p data-bbox="129 602 384 723">0,20</p> <p data-bbox="70 797 268 896">0,20</p>		
<p data-bbox="129 994 384 1115">0,79</p> <p data-bbox="70 1189 268 1288">0,59</p>		<p data-bbox="1187 943 1406 1003">91/95/D</p>
<p data-bbox="129 1386 384 1507">1,06</p> <p data-bbox="70 1581 268 1680">0,27</p>		
<p data-bbox="129 1778 384 1899">1,59</p> <p data-bbox="70 1973 268 2072">0,53</p>		

Next 0,50

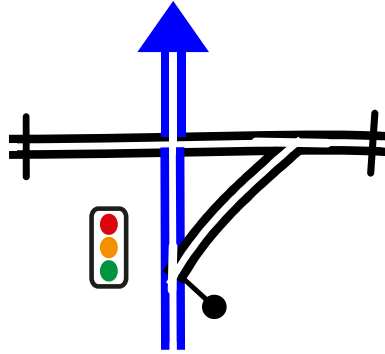
2,09



RETURN

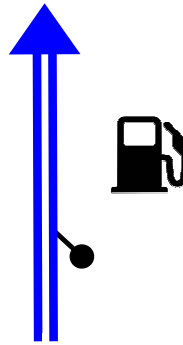
0,50

3,23



1,14

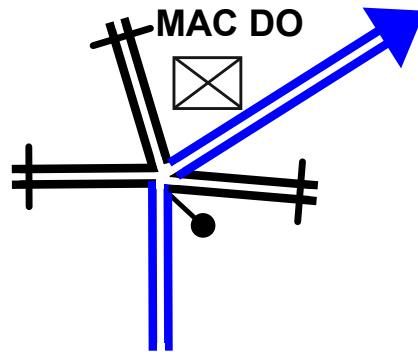
4,88



98 / 95

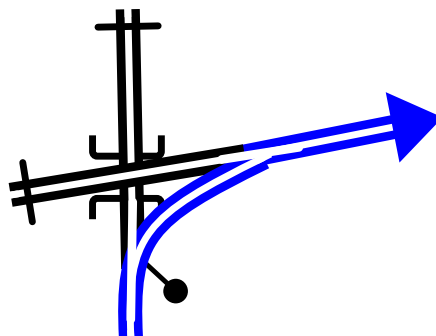
1,65

5,80



0,92

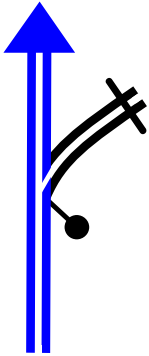
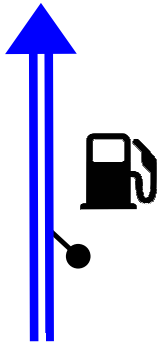
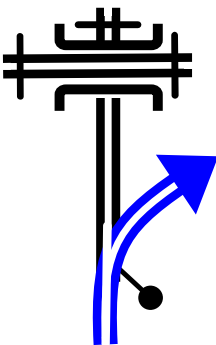
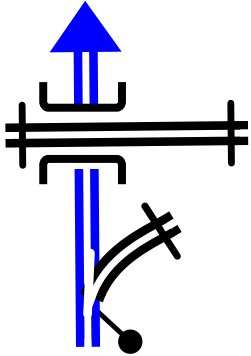
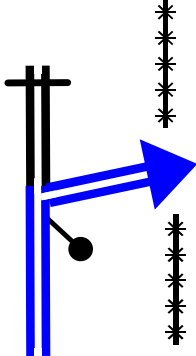

8,60



➔
HIGHWAY
RIYADH

2,80

Next 5,11

3	QASSIM / PROLOGUE / LIAISON A	Km : 34,15
<p data-bbox="92 208 411 331">13,71</p> <p data-bbox="68 405 264 506">5,11</p>		
<p data-bbox="84 600 424 723">25,57</p> <p data-bbox="44 797 300 898">11,86</p>		<p data-bbox="1185 544 1414 611">91/95/D</p>
<p data-bbox="84 992 424 1115">30,27</p> <p data-bbox="68 1189 264 1290">4,70</p>		<p data-bbox="1193 987 1528 1193">Q^T HIGHWAY</p>
<p data-bbox="84 1384 424 1507">30,95</p> <p data-bbox="68 1581 264 1682">0,68</p>		
<p data-bbox="84 1776 424 1899">34,15</p> <p data-bbox="68 1973 264 2074">3,20</p>		<p data-bbox="1185 1731 1520 1877">FOLLOW MARKUP</p> <p data-bbox="1297 1910 1430 1955"></p> <p data-bbox="1209 1977 1513 2045">PODIUM</p>

Next 3,20